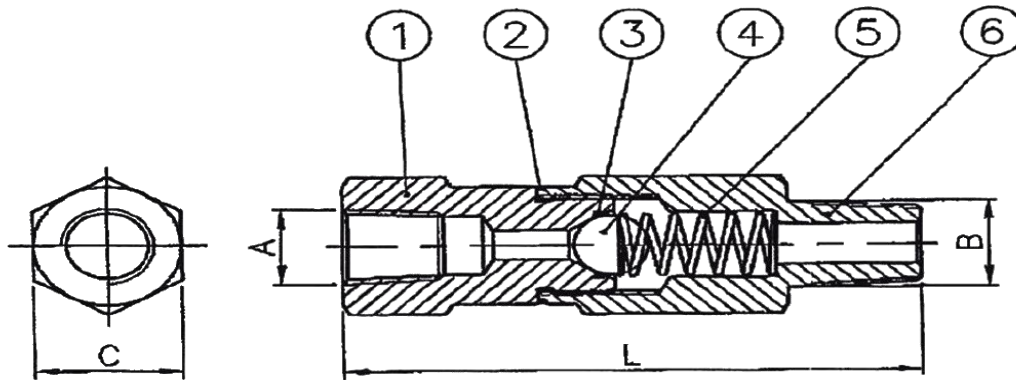




TOP OILFIELD PRODUCTS

TNINCVSS

STAINLESS STEEL IN-LINE CHECK VALVE



Parts & Materials

NO.	Description	Material
1	VALVE BODY (INLET)	SS316
2	PACKING	SS316
3	O-RING	VITON/BUNA
4	BALL	SS304
5	SPRING	SS304
6	VALVE BODY (OUTLET)	SS316

Pressure rating: 6000 PSI

Dimensions(in)

Size	Part #	A	B	C	L
1/8"	TNINCVSS01	1/8" NPT	1/8" NPT	0.75	2.92
1/4"	TNINCVSS02	1/4" NPT	1/4" NPT	0.75	2.92
1/2"	*TNINCVSS03	1/2" NPT	1/2" NPT	1.06	2.97

Due to continuous improvements, design may change without prior notice.

*Asterisked sizes are available from the manufacture upon request. (90+day lead time)

Address: 9239 Alberene Dr. Houston Texas 77074
 Tel: 832-480-3855 e-mail: sales@topoilfieldproducts.com