



TOP OILFIELD PRODUCTS

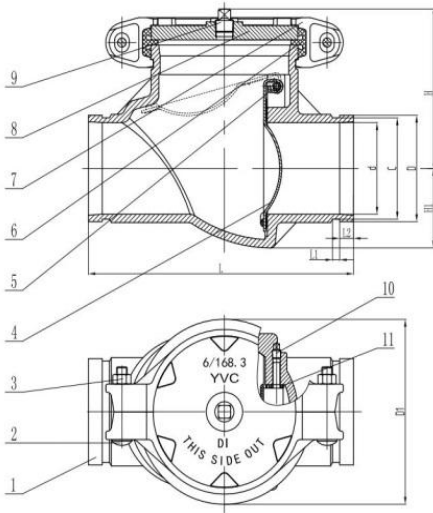
DI GROOVED END SWING CHECK VALVE

TKGD SERIES



Features:

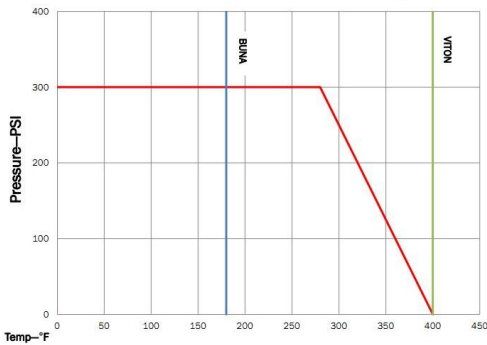
- 300 W.O.G (FULL PORT)
- QUICK CONNECTION VALVE COVER
- SS316+VITON SEAL
- GROOVED DIMENSIONS CONFORM TO ANSI/AWWA C606
- INSPECTION AND TEST: API598



Parts & Materials

NO.	Description	Material
1	BODY	ASTM A395
2	STUD	CARBON STEEL
3	NUT	CARBON STEEL
4	DISC	SS316+VITON
5	SHAFT	SS316
6	GASKET SEALS	BUNA
7	CLAMP	ASTM A395
8	BONNET	ASTM A395
9	BONNET SCREW	CARBON STEEL
10	DISC SCREW	CARBON STEEL
11	DISC GASKET	PTFE

Pressure Temperature Ratings



Dimensions(in)

NPS	Part #	Port	Pressure	L	D	C	d	L1	L2	H	H2	D1	Weight (lbs)
2"	TKGD09V3	FP	300	9.02	2.37	2.80	1.85	0.31	0.62	6.43	1.81	1.81	10.25
3"	TKGD11V3	FP	300	10.75	3.50	3.34	2.87	0.31	0.62	6.02	2.62	6.14	20.52
4"	TKGD12V3	FP	300	12.01	4.50	4.33	3.86	0.37	0.62	6.78	3.39	7.87	34.75

Address: 9239 Alberene Dr. Houston Texas 77074
 Tel: 832-480-3855, e-mail: sales@topoilfieldproducts.com