



TOP OILFIELD PRODUCTS

EXPANDING GATE VALVE

TFG / TTG 5000 SERIES

The Expanding Gate provides a positive mechanical seal in a wide variety of applications.

Available in 2000, 3000, 5000psi

Sizes range from 2-1/16" up to 4-1/16"



Features:

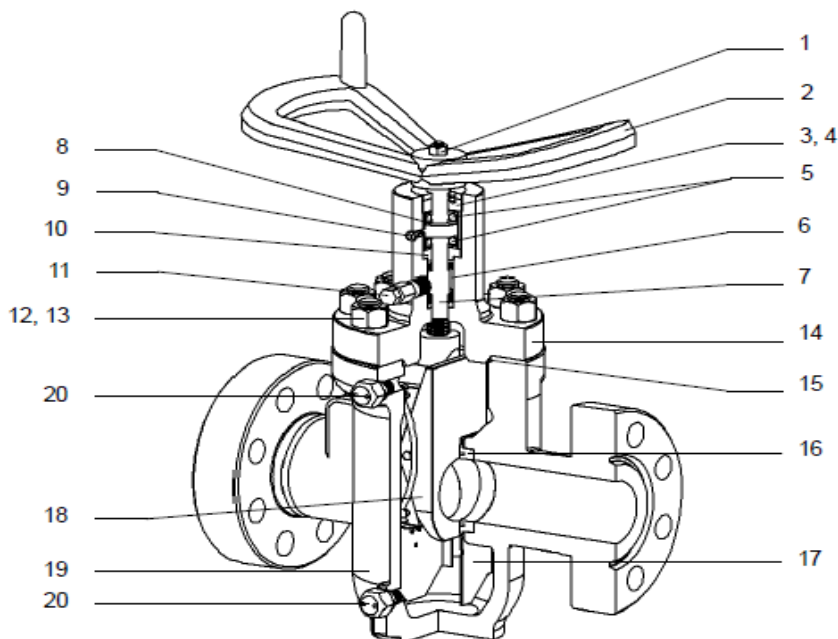
- Integral cast steel body and bonnet
- Non-rising stem design
- Parallel Expanding Gate provides a tight mechanical metal seal between the seats, which protects body and operating components from flow in both open and closed positions.
- PTFE ring in each seat ensures an initial seal between seats and gate in addition to the metal-to-metal seal generated by full expansion of the gate.
- Packing injection fitting allows the stem packing to be energized under pressure.
- Roller thrust bearings minimize valve-operating torque.
- External bearing grease fitting allows easy lubrication of stem bearings.
- Continuous full bore/thru conduit flow at sealing surfaces minimizes pressure drop and turbulence.
- Body cavity is filled with grease to allow easier operation and provides corrosion resistance and longer life
- Two safety-capped grease fittings are provided on the body so that grease may be added at any time.
- Valve does not rely on pressure for sealing.



TOP OILFIELD PRODUCTS

EXPANDING GATE VALVE

TFG / TTG 5000 SERIES



Parts List

- 1 nut
- 2 handwheel
- 3 bearing retainer lock nut
- 4 bearing retainer nut
- 5 thrust bearing
- 6 stem packing
- 7 stem
- 8 bearing spacer sleeve
- 9 bearing grease fitting
- 10 packing retainer bushing
- 11 packing injection fitting
- 12 nut
- 13 stud
- 14 bonnet
- 15 bonnet gasket
- 16 seat
- 17 gate guide
- 18 gate assembly
- 19 body
- 20 body grease fitting

Service	Trim	Matl Class	Body & Bonnet	Bonnet Sea	Gate	Seat	Stem
GENERAL OILFIELD OIL AND GAS	T-21	AA	ALLOY STEEL	CS	ALLOY STEEL	ALLOY STEEL	ALLOY STEEL
GENERAL OILFIELD LOW TEMP -50 °F	T-36	AA	ALLOY STEEL	CS	ALLOY STEEL	ALLOY STEEL	ALLOY STEEL
GENERAL WITH SLIGHT CO ₂ CORROSION	T-22	BB	ALLOY STEEL	SS	13 CR SS	17-4 PH	17-4 PH
CORROSIVE WITH HIGH CO ₂	T-23	CC	13 CR SS	SS	13 CR SS HF	17-4 PH	17-4 PH
SOG LOW TEMP -50 °F	LD	DD-NL	ALLOY STEEL	CS	ALLOY STEEL SH	ALLOY STEEL	ALLOY STEEL
SOG	T-24	DD-NL	ALLOY STEEL	SS	ALLOY STEEL HF	17-4 PH	ALLOY STEEL
SOG LOW TEMP -50 °F	T-37	DD-NL	ALLOY STEEL	SS	ALLOY STEEL HF	17-4 PH	ALLOY STEEL
SOG LOW TEMP -50 °F	T-37N	DD-NL	ALLOY STEEL	SS	ALLOY STEEL HF	17-4 PH	CRA
SOG LOW TEMP -50 °F	T-37Z	DD-0.5/ZZ	ALLOY STEEL	SS	ALLOY STEEL HF	17-4 PH	17-4 PH
SLIGHT CO ₂ CORROSION AND SOG	T-25	EE-0.5/ZZ	ALLOY STEEL	SS	13 CR SS HF	17-4 PH	17-4 PH
WATERFLOOD	T-27	EE-0.5/ZZ	ALLOY STEEL ₂	SS	316 SSHF	17-4 PH	17-4 PH
SLIGHT CO ₂ CORROSION AND SOG	T-25N	EE-NL	ALLOY STEEL	SS	13 CR SS HF	17-4 PH	CRA
WATERFLOOD	T-25N	EE-15.0	ALLOY STEEL ₂	SS	316 SS HF	17-4 PH	CRA
CORROSIVE WITH HIGH CO ₂ AND SOG	T-26N	FF-NL	13 CR SS	SS	13 CR SS HF	17-4 PH	CRA
EXTREMELY CORROSIVE	T-78	HH-NL	CRA ₁	CRA	CRA HF	CRA	CRA

SOG Sour Oil and Gas H₂ S NACE MR0175

*Materials subject to change without prior notice

(1) or Alloy Steel Clad 625

(2) PTFE base or ENC coating

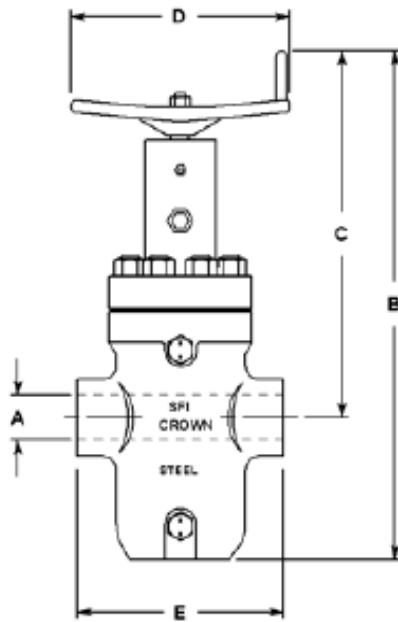
Address: 9239 Alberene Dr. Houston Texas 77074
 Tel: 832-480-3855 e-mail: sales@topoilfieldproducts.com



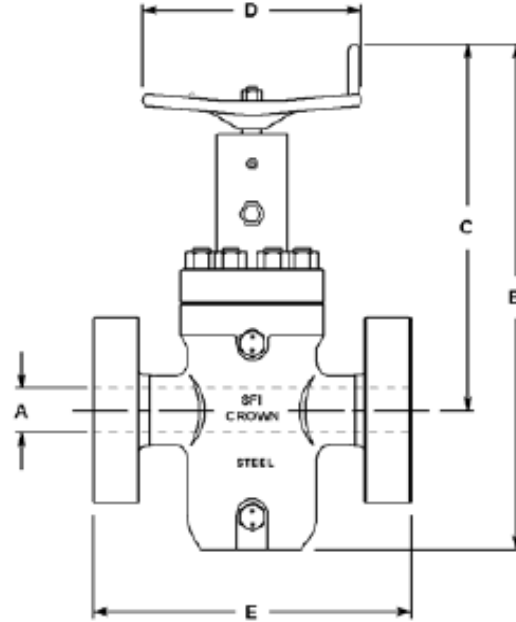
TOP OILFIELD PRODUCTS

EXPANDING GATE VALVE

TFG / TTG 5000 SERIES



Threaded Valves



Flanged End Valves

Dimensions(mm)

	Size (in)	(mm)	A	B	C	D	E Threaded	E Flanged	N	Weight Lbs Threaded	Weight Lbs Flanged
*2000 (13.8)	2-1/16"	52	2.06	23.62	18.69	11	9.83	11.62	13	85	100
	2-9/16"	65	2.56	25.56	19.94	12.5	11.6	13.12	15.5	125	140
	3-1/8"	79	3.19	29.25	22.12	12.5	11.69	14.12	20	180	200
	4-1/16"	103	4.12	34.62	25.69	16	-	17.12	24.5	-	390
*3000 (20.7)	2-1/16"	52	2.06	24.25	18.94	12.5	9.83	14.62	13	115	160
	2-9/16"	65	2.56	26	19.81	12.5	12.25	16.62	15.5	145	220
	3-1/8"	79	3.19	30.06	22.62	16	11.69	17.12	20	225	280
	4-1/16"	103	4.12	35.31	26.19	20	-	20.12	24.5	-	490
5000 (34.5)	2-1/16"	52	2.06	24.25	18.94	12.5	9.83	14.62	13	115	160
	3-1/8"	79	3.19	30	22.62	16	11.69	18.62	20	225	320
	4-1/16"	103	4.12	35.5	26.19	20	-	21.62	24.5	-	600

* = Sizes with an (*) astericked mark are available upon request
 N = Number of turns to open/close valve

Address: 9239 Alberene Dr. Houston Texas 77074
 Tel: 832-480-3855 e-mail: sales@topoilfieldproducts.com