



TOP OILFIELD PRODUCTS

FLANGED END BALL VALVE-FLOATING

TFBF CLASS 150 SERIES (2PC)

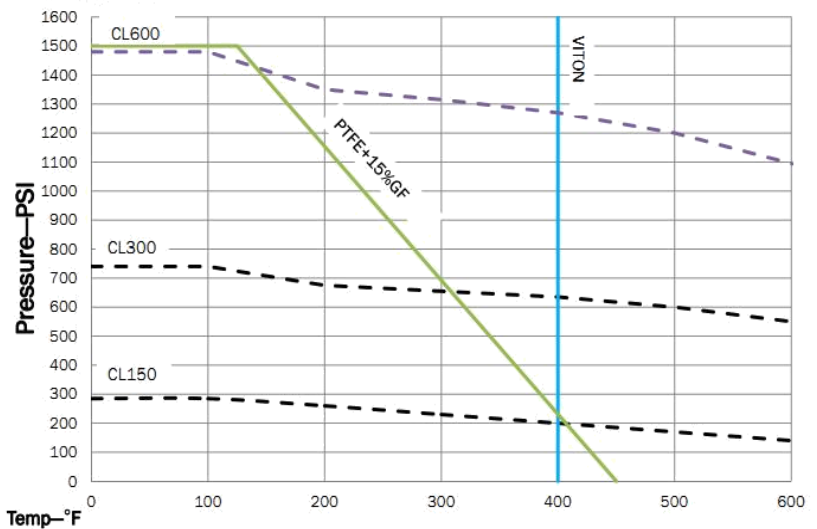


Features:

- WCB Cast Body and Adapter Cap
- Anti blowout proof stem design
- Valves Designed to API 6D
- Valves meet ASME B16.34 B16.10 B16.5 and BS5351
- Fire tested to API 6FA
- Locking Devices Standard for Lever or Gear Operated Valves
- NACE MR0175
- Antistatic grounding between ball/stem and body

Carbon Steel
A216 WCB
ASME B16.34 Ratings
Material Limits

Pressure Temperature Ratings



Specifications

NOMINAL PRESSURE	285psi	2.0Mpa
SHELL STRENGTH	450psi	3.0Mpa
SEALING TEST	315psi	2.2Mpa
AIR SEAT PING (AIR)	80.8psi	0.55Mpa

*Media being ambient water

Dimensions(in)

NPS	L	D	C	g	d	N	h	t	f	H	R	T	G	F	K	LO	Torque ft.lb	Weight Lbs
1"	5.00	4.33	3.13	2.01	1.00	4	0.63	0.47	0.06	4.27	M6	1.80	0.63	0.37	0.94	6.2	11	9.0
2"	7.00	5.98	4.75	3.62	1.93	4	0.75	0.63	0.06	5.91	1/4-20	1.75	0.86	0.55	0.98	12.0	50	26.5
2-1/2"	7.52	7.09	5.50	4.13	2.56	4	0.75	0.71	0.06	6.32	1/4-20	1.75	0.86	0.55	0.98	12.0	70	33.1
3"	8.00	7.50	6.00	5.00	2.91	4	0.75	0.75	0.06	6.88	5/16-18	2.75	1.24	0.86	1.34	14.0	90	46.3
4"	9.00	9.00	7.50	6.18	3.94	8	0.75	0.94	0.06	9.11	3/8-16	4.00	1.37	0.94	1.56	21.7	130	77.2
5"	14.02	10.04	8.50	7.32	4.92	8	0.88	0.96	0.06	10.83	0.55	4.92	1.37	0.94	1.50	25.6	200	0.0
6"	15.50	10.98	9.50	8.50	5.91	8	0.88	1.00	0.06	12.14	0.71	6.50	1.57	1.06	1.59	31.5	625	145.5
8"	18.00	13.58	11.75	10.63	7.91	8	0.88	1.13	0.06	14.33	0.71	6.50	1.96	1.40	1.97	39.4	1000	220.5
10"	20.98	15.94	14.25	12.76	9.92	12	1.02	1.20	0.06	13.50	0.71	6.50	1.77	0.47	2.26	18.0	1916	473.1

Address: 9239 Alberene Dr. Houston Texas 77074

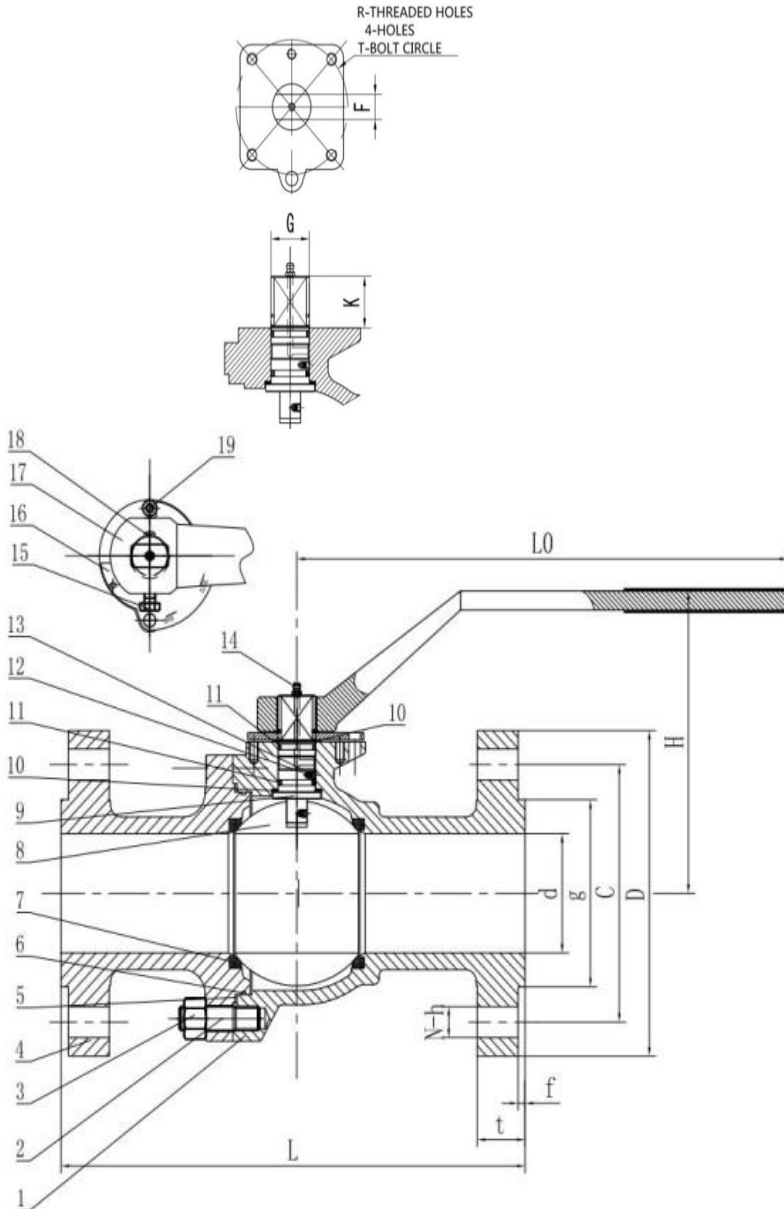
Tel: 832-480-3855, e-mail: sales@topoilfieldproducts.com



TOP OILFIELD PRODUCTS

FLANGED END BALL VALVE-FLOATING

TFBF CLASS 150 SERIES (2PC)



Parts & Materials

NO.	Description	Material
1	BODY	ASTM A216 WCB
2	STUD	ASTM A193 B7
3	NUT	ASTM A194 2H
4	ADAPTER CAP	ASTM A216 WCB
5	GASKET BODY	SS304 + GRAPHITE
6	O-RING BODY	VITON
7	SEAT *	PTFE + 15% GF
8	BALL *	SS316
9	STEM *	SS316
10	STEM GASKET	PTFE
11	O-RING STEM	VITON
12	ANTISTATIC STEEL BAL	SS304
13	ANTISTATIC SPRING	SS304
14	GREASE ZERK	CARBON STEEL
15	HANDLE SCREW	CARBON STEEL
16	STOP PLATE	CS + ZINC
17	HANDLE	DUCTILE IRON
18	RETAINER	CARBON STEEL
19	STOP SCREW	CARBON STEEL

(*Customer Requirements)

EES Enduro-Bond™ Features

- Protects over wide temperature range.
- Resists direct burial soil stress.
- Excellent chemical resistance.
- Suitable for elevated temperature in the presence of H₂S, CO₂, CH₄, crude oil and brine.
- Domestically assembled with global components and tested to API certifications.
- High adhesion and toughness.
- Resists cavitation and cathodic disbondment