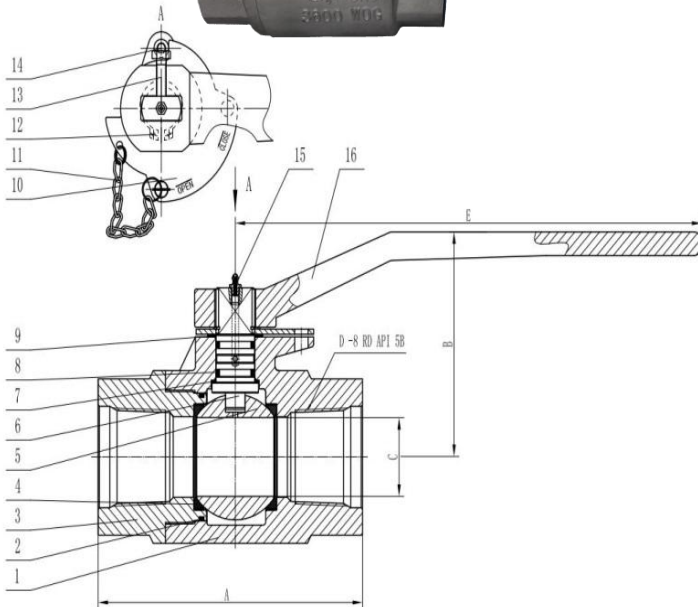




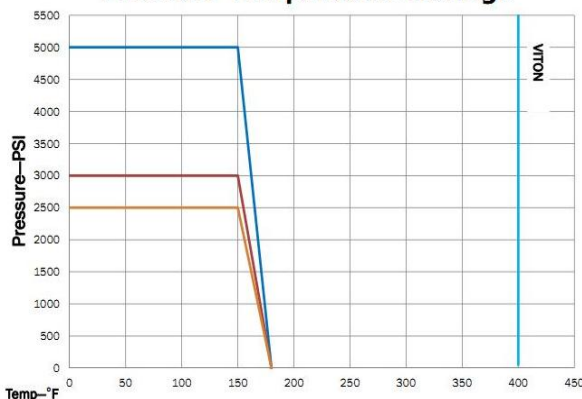
# TOP OILFIELD PRODUCTS

## 8RD BALL VALVE

### TBAS/TBAC - 8RD SERIES



**Pressure Temperature Ratings**



**Features:**

- 2000 / 3000 / 3600 W.O.G. (FULL PORT)
- STAINLESS STEEL / CARBON STEEL BODY
- BLOW OUT PROOF STEM
- DELRIN SEAT
- INSPECTION AND TEST: API 598
- THREADS CONFORM TO API 5B
- NACE MR-01-75

**Parts & Materials**

NO.	Description	Material	
1	BODY	ASTM A351 CF8M	ASTM 216(WCB)
2	BODY SEAL	VITON	VITON
3	ADAPTER	ASTM A351 CF8M	ASTM 216 WCB
4	SEATS	DELRIN	DELRIN
5	BALL	ASTM A182 F316	SS420
6	STEM	ASTM A276 316	ASTM A276 420
7	STEM BEARING	PTFE	PTFE
8	STEM SEAL	VITON	VITON
9	THRUST BEARING	PTFE	PTFE
10	STOP PLATE	STAINLESS STEEL PLATE	STEEL PLATE
11	PIN WITH CHAIN	STAINLESS STEEL	STAINLESS STEEL
12	RETAINER RING	STAINLESS STEEL	SPRING STEEL
13	HEXAGON BOLTS	STAINLESS STEEL	CARBON STEEL
14	STOP SCREW	STAINLESS STEEL	STAINLESS STEEL
15	GREASE ZERK	CARBON STEEL	CARBON STEEL
16	HANDLE	DUCTILE IRON	DUCTILE IRON

**Dimensions(in)**

Size	Part #	Port	Pressure	Weight(lbs)	A	B	C	D	E
2-3/8"	TBA_238L36F	FP	3600	29.54	8.50	5.90	2.07	2-3/8 8RD	15.00
2-7/8"	TBA_278L36F	FP	3600	45.75	9.50	6.35	2.56	2-7/8 8RD	15.00

Address: 9239 Alberene Dr. Houston Texas 77074

Tel: 832-480-3855, e-mail: sales@topoilfieldproducts.com